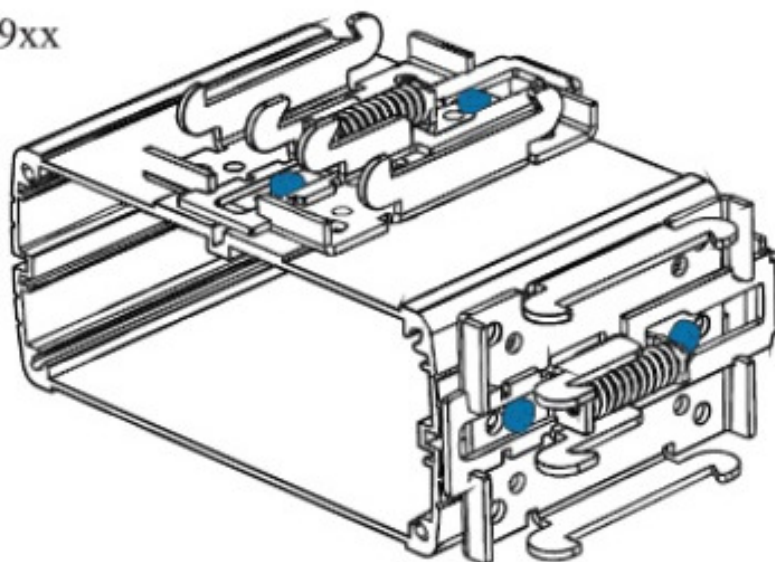




**To attach DIN rail adapter to the device:**

1. Line up smaller holes in the middle or in the corners of DIN rail adapter with the groove on the device.
2. Secure adapter with two screws.

For RUT9xx



For RUT5xx

